

# SQUARE 1

If you are looking for a strong, countertop type cooking range, Square1, a mini model of UNICO® Cooking System, should be your choice.

The square stainless steel cooking range combines a powerful Chinese wok range with a Western 2-burner range. It is ideal for kitchens of all sizes and its stylish design fits seamlessly with any kitchen interior.

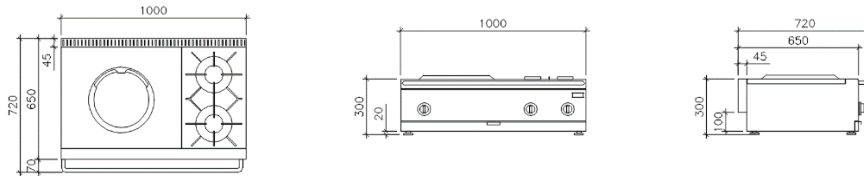


Square1



unico® is a registered trademark of Kitchen Concepts (HK) Ltd.

# UNICO® Square1 Specifications



## Countertop Cooking Range (model: Square1)

Dimensions (W x D x H) mm	1000 x 720 x 300
Wok burner rating	54,600 BTU gas (16 kW)
2-burner rating	2 x 14,700 BTU gas (4.3 kW)

## Drawer Base (model: LCB1000)

Dimensions (W x D x H) mm	1000 x 650 x 550
Internal drawer dimensions (W x D x H) mm	910 x 520 x 300

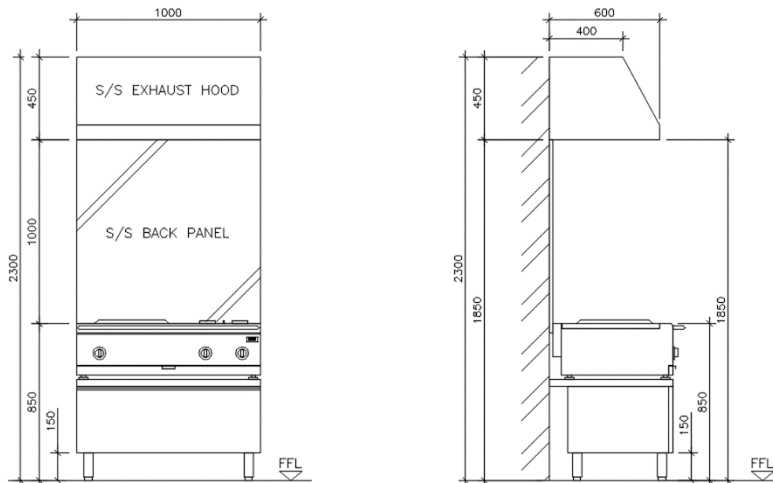
## Stainless Steel Back Panel (model: P1000)

Dimensions (W x H x 20 Tk) mm	1000 x 1050
-------------------------------	-------------

## Exhaust Hood (model: FH1000)

Dimensions (W x D x H) mm	1000 x 650 x 450
Exhaust rate	700 cfm
Static pressure	20 mm W.G.
Lighting type	2 x LED spotlights (12V)
Filter type	Stainless steel "V" baffles grease filter
Electric power requirement	220V / 50Hz / 1ph

## Installation Drawing



KCU202011